

WindObserver™ 65

Ultrasonic Anemometer



Key Features

- Precision ultrasonic anemometer
- 0-65m/s wind Speed
- 0-359° wind direction
- Optional de-icing system
- Stainless steel construction
- Sonic temperature output
- Free data logging software

The Gill WindObserver 65 is a precision, solid-state ultrasonic anemometer providing wind speed and direction data via 1 digital and 3 optional analogue outputs and features and IP66 rated stainless steel housing, which is particularly suitable for use in salt-water environments.

Offering a high wind speed measurement range, this anemometer has an optional de-icing system enabling the sensor to operate effectively in environmental conditions experienced at high altitude or at sea and is recommended for use in aviation, marine and offshore applications.



Wind Speed

Range	0 - 65 m/s (0-145mph)
Starting threshold	0.01 m/s
Accuracy	±2% @12 m/s
Resolution	0.01 m/s
Offset	±0.01 m/s

Direction

Range	0 - 359°
Dead band direction	None
Accuracy	±2° @12 m/s
Resolution	1°

Sonic Temperature

Range	-40°C to +70°C
-------	----------------

Measurement

Ultrasonic output rate	1Hz, 2Hz, 4Hz, 5Hz, 8Hz or 10Hz
Parameters	UV, Polar, NMEA, Tunnel
Units	m/s, knots, mph, kph, ft/min
Averaging	Flexible, 1 - 3600s

Digital Output

Communication	RS422/RS485 full duplex/half duplex
Baud rates	1200, 2400, 4800, 9600, 19200, 38400
Formats	8 bit data; odd, even or no parity
Anemometer status	Supplied as part of standard message

Power Requirement

Anemometer only	9-30 VDC (40mA @12 VDC)
Heating (optional)	3A @24 VAC or DC

Analogue Output - Optional

Quantity	3 (Speed, direction, status or sonic temp)
Scale	Multiples of ±10 m/s up to ±70 m/s
Type	±2.5 V, 0-5 V or 4-20mA
V output resistance	60 Ohms
4-20mA loading	10-300 Ohms

Mechanical

External Construction	Stainless steel 316
Size	381mm x 213mm
Weight	1.4kg

Environmental

Protection Class	IP66 (NEMA4X)
Humidity	< 5% to 100% RH
Operating Temperature	-55°C to +70°C (Heated option)
Precipitation	300mm/hr
EMC	EN 61000-6-2: 2001, EN 61000-6-3: 2001
Icing	MILSTD810F Method 521.2 Procedure I

Approvals

Standards	Traceable to NAMAS standards
Site Calibration	None required. Integrity check unit (Zero wind) supplied as optional extra

Accessories

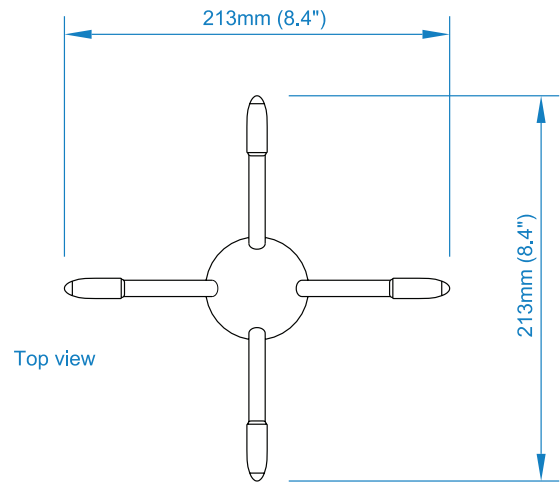
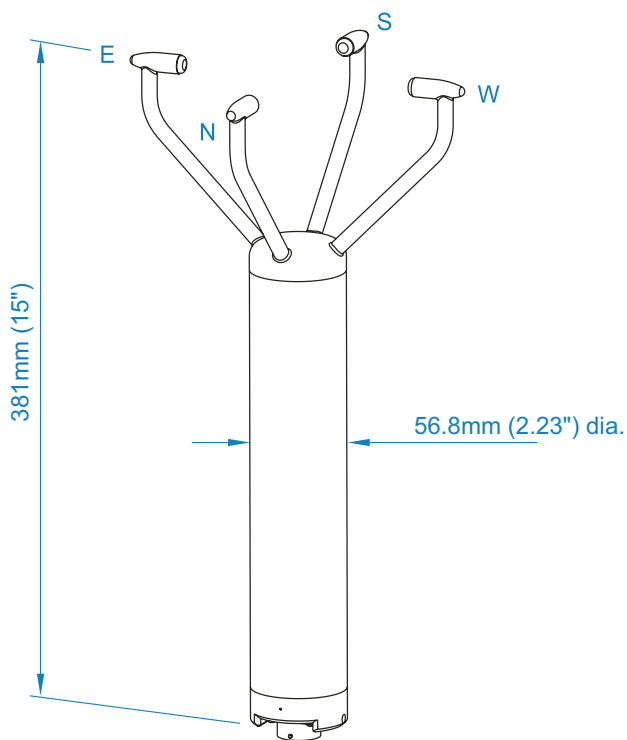
Pipe Mount	Contact Gill
WindView Software	Display/logging software
WindCom Software	Configuration, display & logging software

WindObserver™ 65

Ultrasonic Anemometer

Typical Applications

- Building Controls/Structural Safety
- High Altitude Mountainous Regions
- Marine Vessel Dynamic Positioning Systems
- Wind Turbine Control
- Road & Rail Tunnels/Transport Safety
- Ports & Harbours
- Aircraft Landing Systems



Note: Optional base mounts and cable exit options are available.

Specifications may be subject to change without prior notice.



Gill Instruments Ltd
Saltmarsh Park
67 Gosport Street
Lymington
Hampshire
SO41 9EG, UK

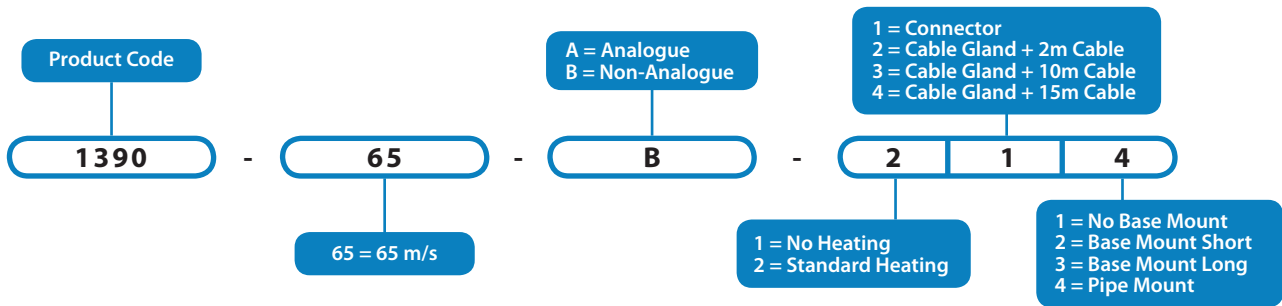
T: +44 (0) 1590 613 500
F: +44 (0) 1590 613 555
E: anem@gill.co.uk

www.gill.co.uk



Copyright © Gill Instruments 2012
1390 - 0036 Iss 1
Gill Instruments Ltd
Reg No. 3154453 Registered Office: The George Business Centre, Christchurch Road, New Milton, BH25 6QJ

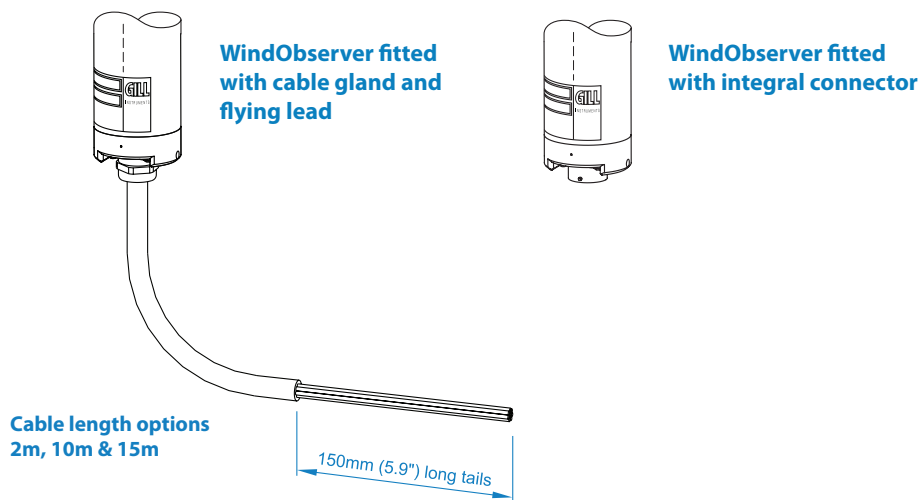
WindObserver Product Numbers Explained



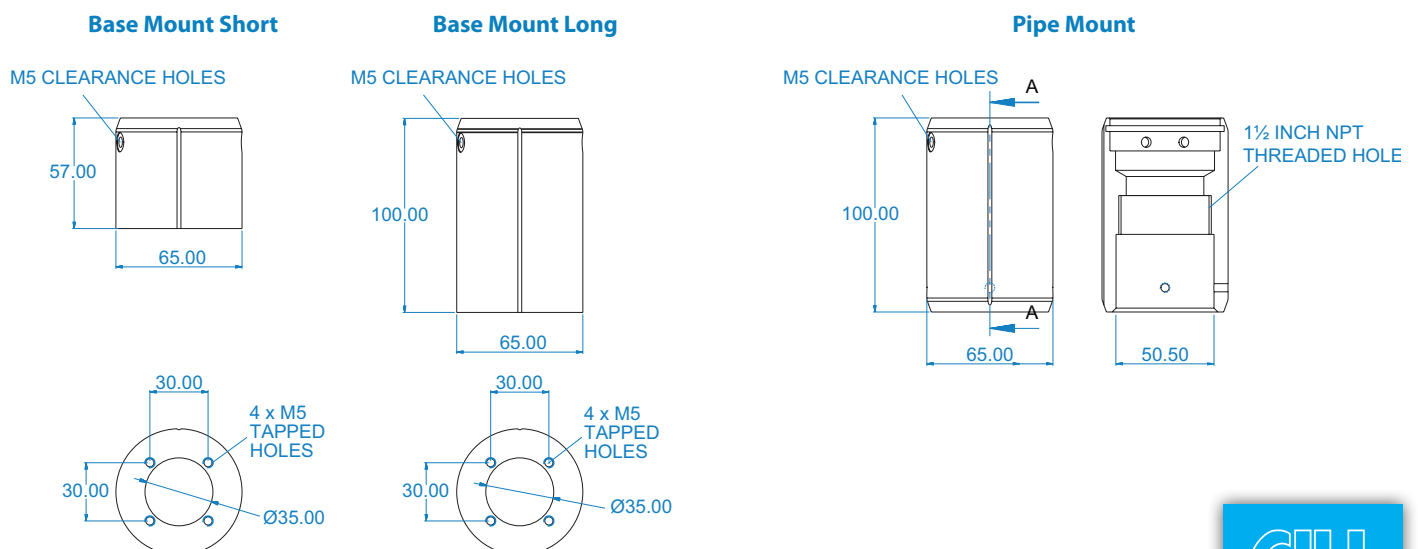
Product options may be model specific. Consult the Gill sales team for availability

Connection Options

Drawings below shown without base mounts



Base & Pipe Mount Options



All options are supplied with appropriate fixing screws and washers.

Gill Instruments Ltd
Saltmarsh Park, 67 Gosport Street, Lymington, Hampshire, UK SO41 9EG
T: +44 (0) 1590 613 500 F: +44 (0) 1590 613 555 E: anem@gill.co.uk

www.gill.co.uk

Copyright © Gill Instruments 2012
1390 - 0038 Iss 1

Gill Instruments Ltd, Reg No. 3154453 Registered Office: The George Business Centre, Christchurch Road, New Milton, BH25 6QJ

