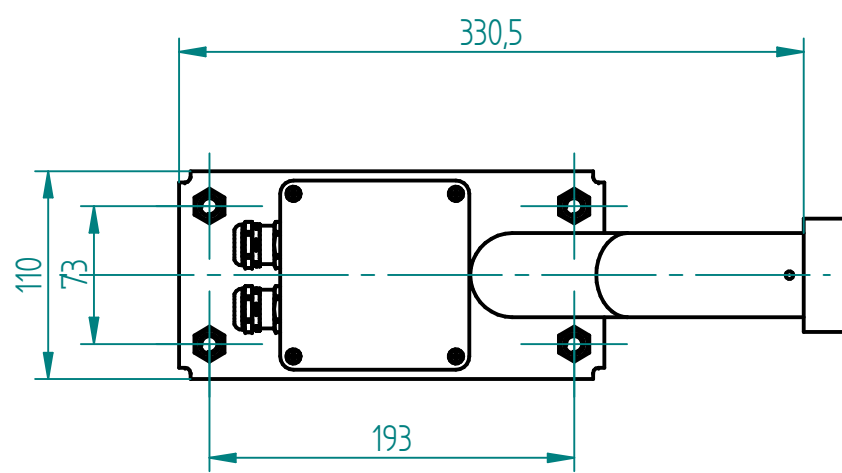
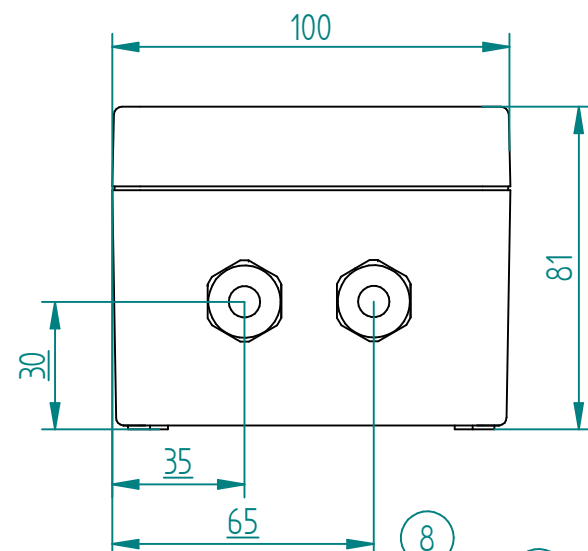
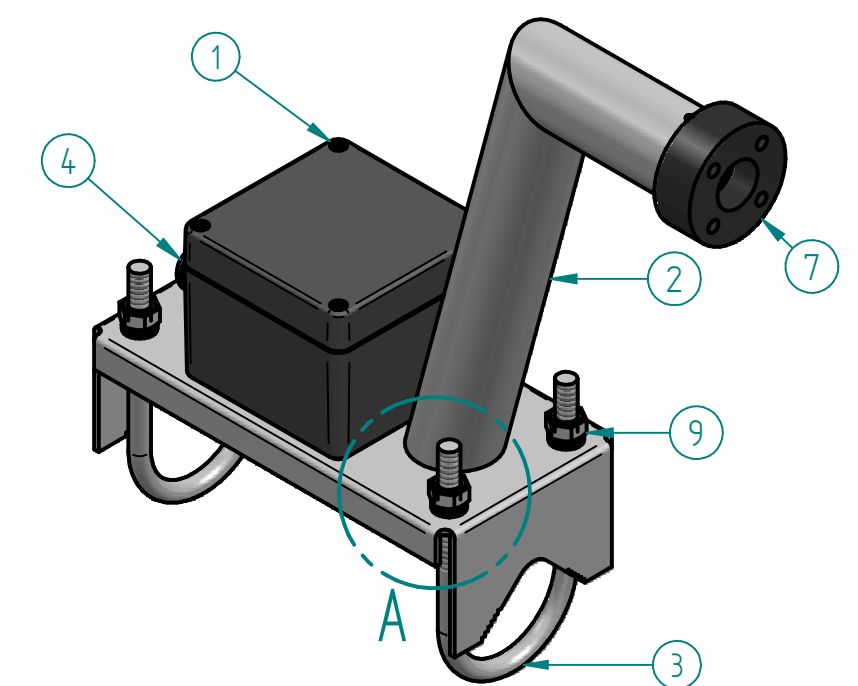
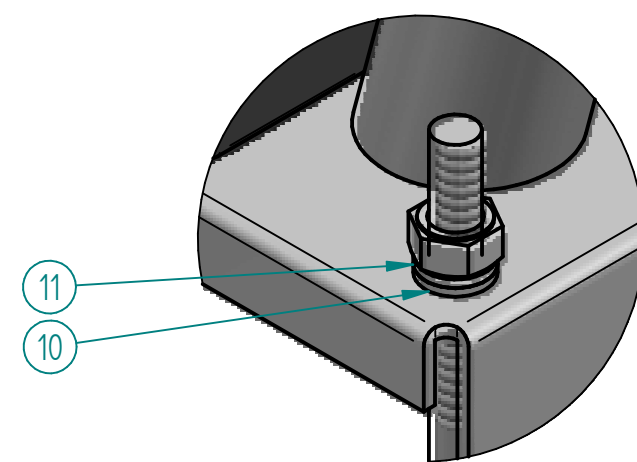
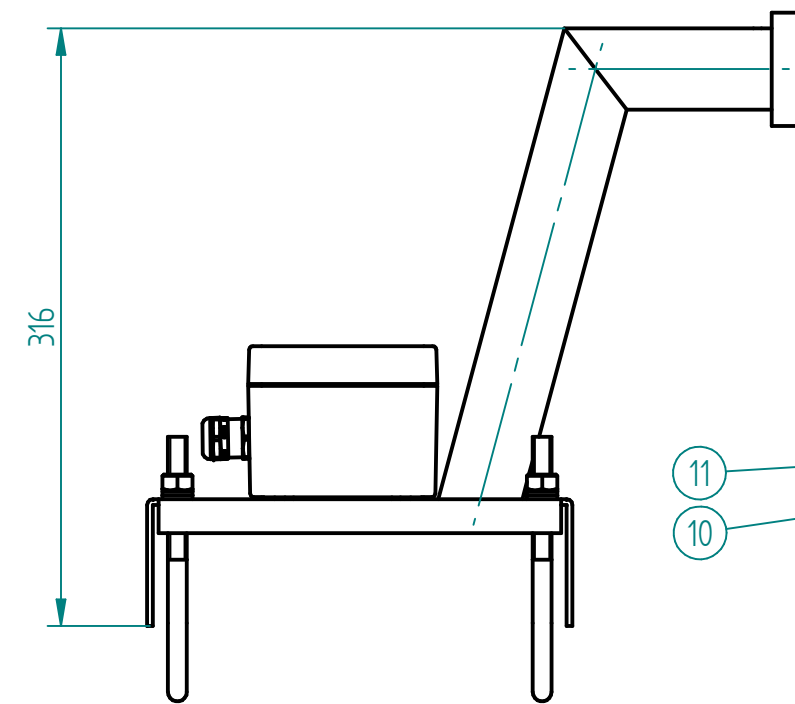
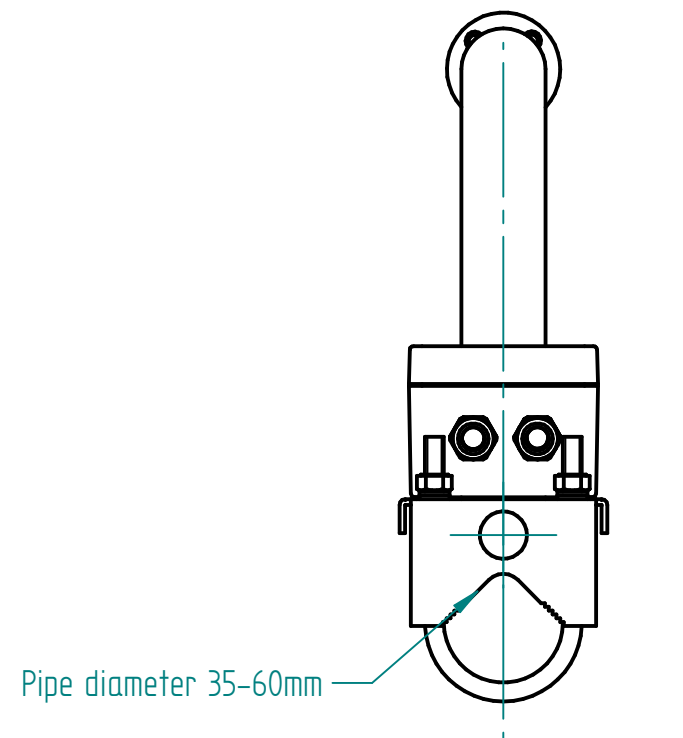


REVISION HISTORY

REV	DESCRIPTION	DATE	APPROVED



Dimensions Junction Box:
100x100x80mm

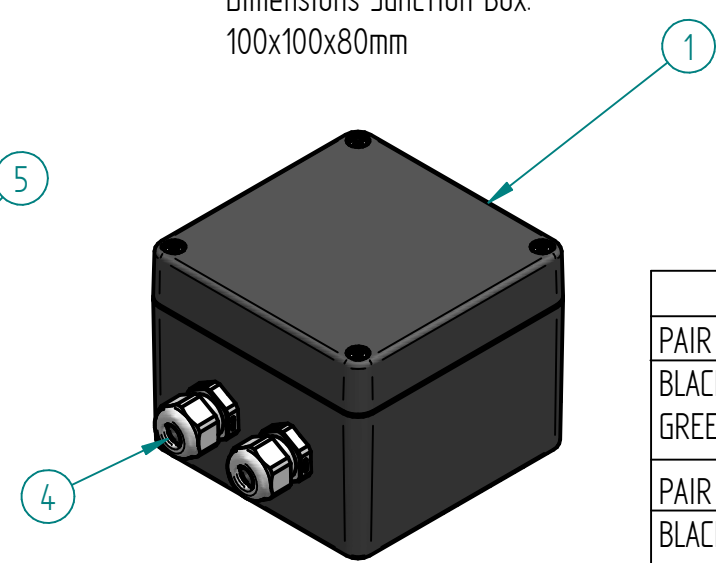
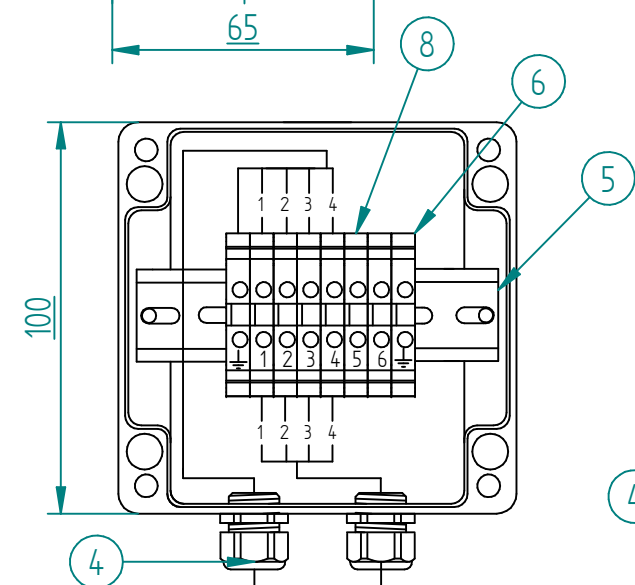


Table 1 (OMC-118)

PAIR 1	BLACK = 3 RS 422 TXA (-)
	GREEN = 4 RS 422 TXB (+)
PAIR 3	BLACK = 1 POWERSUPPLY V- (9-30VDC)
	RED = 2 POWERSUPPLY V+ (9-30VDC)

Item Number	Title	Material	Quantity
1	Junction Box	Polyester	1
2	Bracket	SS316	1
3	U-bolt	SS316	2
4	Gland M20x1.5	SS316	2
5	Din Rail 90mm		1
6	Terminal Block UK5N		6
7	Reducer	POM	1
8	Terminal Block USLKG5	SS316	2
9	Nut M10	SS316	4
10	Knurling Ring M 10	SS316	4
11	Washer	SS316	4

internal connection
see table 1

NAME	DATE	OBSERVATOR instruments		
DRAWN: hou	13-8-2013	Project: OMC-122 Dimensions		
CHECKED: H. Ouadi	13-8-2013			
ENG APPR:				
MGR APPR:		Observer Instruments 2984 BM Ridderkerk The Netherlands Email: info@observator.com www.observator.com	SIZE: A3 DWG NO: OMC-122 for OMC-118 FILE NAME: OMC-122 Dimensions for OMC-118.dft	REV:
SCALE:		WEIGHT:	SHEET 1 OF 1	